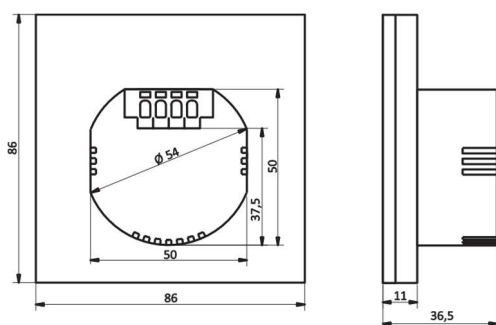
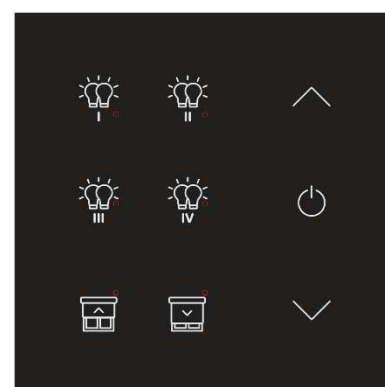
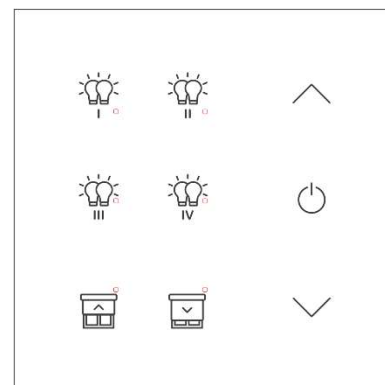


## EvoTouch.333 DALI-2 Glass Touch Panel, 9 Buttons

**TCH-333x-081** is a modern DALI-2 control panel that combines advanced technology with sophisticated design. Its glass front and intuitively designed icons provide an elegant and universal interface that meets the expectations of even the most demanding users. The panel is equipped with nine touch buttons, allowing precise switching on and off, as well as smooth dimming of the light level and control of blinds. It is ideal for controlling four scenes and four groups of DALI luminaires and one group of blinds. Additionally, six LED indicators signal the control status of individual groups or the selected scene, significantly enhancing user comfort. Available in classic white or elegant black. Custom versions, including panel colours and icon configurations, are available upon individual request.



### Technical specifications

Power supply	9,5 ÷ 22,5 V DC (via DALI Bus)
Current consumption from DALI Bus	5 mA
Communication protocol	DALI-2
Number of DALI addresses	1
Number of status indicator LEDs	6 x LED, configurable
Wiring terminals	WAGO spring terminals, wire from 0,25 to 2,5 mm <sup>2</sup>
Mounting	Ø60 mm flush-mount box
Dimensions	86 x 86 x 36,5 [mm]
Color	White or black
Materials	ABS + PC + Glass
Operating temperature	0 °C to +50 °C
Storage temperature	-20 °C to +50 °C
Relative humidity	5 % ÷ 90 %, non-condensing
Weight	140 g
Protection	IP 20
Conformity mark	CE
Part number / EAN – White colour	TCH-333W-081 / 5904423369483
Part number / EAN – Black colour	TCH-333B-081 / 5904423369490