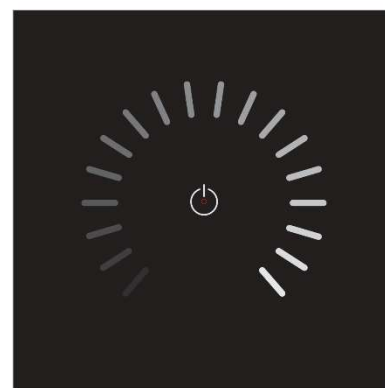
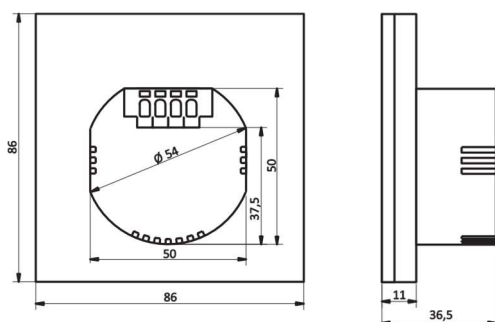
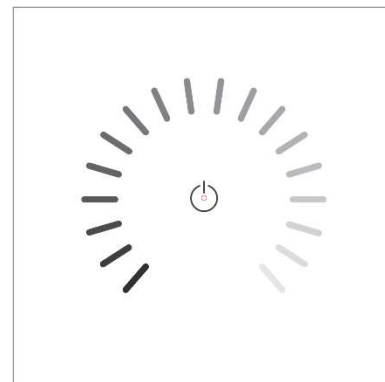


EvoRing.010 DALI-2 Glass Touch Panel, 1 Button, 1 Slider

RNG-010x-401 is a modern DALI-2 control panel that combines advanced technology with sophisticated design. Its elegant glass front and intuitively designed icons provide a universal interface that meets the expectations of even the most demanding users. The panel, equipped with a touch button and a circular slider, allows for the precise switching on, switching off, and smooth dimming of DALI luminaires for a single group or scene. Additionally, an LED diode signals the current control state of the group or scene, which significantly enhances operating comfort. Available in classic white or elegant black. Custom versions, including panel colours and the icon and slider configuration, are available on individual request.



Technical specifications

Power supply	9,5 ÷ 22,5 V DC (via DALI Bus)
Current consumption from DALI Bus	2,5 mA
Communication protocol	DALI-2
Number of DALI addresses	1
Number of status indicator LEDs	1 x LED, configurable
Wiring terminals	WAGO spring terminals, wire from 0,25 to 2,5 mm ²
Mounting	Ø60 mm flush-mount box
Dimensions	86 x 86 x 36,5 [mm]
Color	White or black
Materials	ABS + PC + Glass
Operating temperature	0 °C to +50 °C
Storage temperature	-20 °C to +50 °C
Relative humidity	5 % ÷ 90 %, non-condensing
Weight	140 g
Protection	IP 20
Conformity mark	CE
Part number / EAN – White colour	RNG-010W-401 / 5904423369247
Part number / EAN – Black colour	RNG-010B-401 / 5904423369254